



IQ^v Series™ Cordless Tools

**Cordless convenience.
Uncompromising power.**



REAL TOOLS FOR REAL WORK.™

Cordless Convenience. Uncompromising Power.

The Ingersoll Rand IQ^V Series™ tools offer versatile performance, cordless convenience and rugged durability in compact packages with class-leading ergonomics — key benefits in the automotive services and MRO markets.

Accessibility:

The compact, cordless design of every IQ^V Series™ tool makes accessing tight spaces easier.

Comfort:

Lightweight design and small handles help minimize fatigue, making tools more ergonomic and comfortable to hold.

Durability:

Chemical- and impact-resistant housings withstand tough environments and repeated drops, while protecting interior components.



C1101 12^v Reciprocating Saw



R3130 20^v Ratchet



W1110 12^v Quick Change Impact Wrench

Choose Your Power.

The IQ^{V12} Series™ of 12-volt tools combine lighter weight and smaller sizes with ergonomic design to make accessing difficult areas easier and to minimize operator fatigue. The Ingersoll Rand IQ^{V20} Series™ of 20-volt tools deliver hard-hitting, long-lasting power, with the uncompromising ability to stand up to the all day, every day demands of professionals. IQ^V Series™ tools **Do the Job, Do it Fast, Do it Every Time.**

Ingersoll Rand's BC1121-EU lithium-ion universal charger gets all of the batteries in our IQ^{V12} and IQ^{V20} Series™* lineup charged and ready to go whenever you are. Whether it's our 20 V or 12 V batteries, this innovative, multi-use battery charger will make it easier and faster to have a freshly charged battery to get your work done now, not later.



Performance: The BL2022 5.0 Ah delivers **68 % longer run time** than its predecessor at the same size and weight.

High-power, extended-life 20-volt lithium-ion battery delivers high-charge capacity and low internal impedance for maximum power delivery and exceptional runtime.



Performance: The BL2012 2.5 Ah delivers **100 % longer run time** than its predecessor at the same size and weight.

Durability: The intelligent Battery Management System allows the battery to communicate with the tool and charger to prevent over loading, over charging and over discharging for longer tool and battery life.



Performance: The BL1203 battery provides 2.0 Ah of 12-volt power, intelligently managed by the IQ^{V12} Series™ system for maximum tool runtime.

2.0 Ah Li-Ion battery with fuel gauge for battery charge visibility, so you can better prepare to get more work done



Compatibility: Charge any of your IQ^{V12} and IQ^{V20} Series™ batteries on the same universal charger.

Productivity: An LED Fuel Gauge and audible alarm will let you know when your batteries are fully charged and ready to get back to work.

Versatility: The USB charge port on the side means you don't have to fight for an outlet with your tablet or smart phone. Let us take care of the clutter; you take care of what's next.

*For use with any of our IQ^{V12} and IQ^{V20} Lithium-Ion Batteries, BL2022, BL2012 and BL1203.

IQ^{V20} Series™

Power Controlled Impact Wrench for W7152 & W7252 High-Torque Impact Wrench W7150 1/2"

Tuned impact mechanism

delivers 2,040 Nm nut-busting torque and 1,360 Nm of MAX torque from a tool that measures just 207 mm from tip to tail and weighs only 3.4 kg

Shadowless 360 degree

LED light ring with task light mode and 4 dimmable settings

All-metal drivetrain and

hammer mechanism is robust, durable and optimized for maximum power and efficiency

*Requires 5.0 Ah battery for maximum performance



W7152

Powerful brushless motor

delivers durability and efficiency as well as best-in-class power-to-weight ratio



W7150

Tuned impact mechanism

delivers more torque, is more durable and more efficient; 1,057 Nm max torque and 1,491 Nm nut-busting torque equals the output of our 2135QXPA air impact wrench—all from a 3.1 kg tool/battery combo

Variable-speed switch

provides maximum control of the tool

Patent-pending soft

touch over-molded grip minimizes vibration, reduces fatigue and enhances user comfort during extended use

Tough composite

housing and patented steel-reinforced frame protects against fluids, chemicals and repeated drops

MODE	HAND TIGHT	WRENCH TIGHT	HALF POWER	MAX POWER
ft-lb (Nm)	4-10 (5-14)	35-110 (50-150)	100-530 (135-720)	100-1000 (135-1360)
	1000 (1360)	1000 (1360)	1000 (1360)	1000 (1360)
BOLT SIZE	M6-M12	M10-M16	M12-M32	M16-M32
SHUT OFF	✓	✓		

IQ^V Power Control System with 4 modes and including 2 shut off



Ideal for:



General automotive repair



Heavy equipment repair



General industrial

IQ^{V20} Series™ Impact Wrench

Model	CCN	Battery	Voltage DC	Drive Size, Type	Impacts per Minute	Free Speed rpm	Nut-Busting Torque Nm	MAX Torque Nm	Tool & Battery			Noise level dB(A)
									Weight kg	Length mm	Vibrations / K* m/s ²	
W7152	47633386001	BL2022	20	1/2", Hog Ring	2,450	0-1,900	2,040	1,360	3.4	207	17.0/3.7	95.0
W7152P	47633391001	BL2022	20	1/2", Pin Retainer	2,450	0-1,900	2,040	1,360	3.4	207	17.0/3.7	95.0
W7252	47633389001	BL2022	20	1/2", Hog Ring	2,450	0-1,900	2,040	1,360	3.6	257	17.2/2.3	95.0
W7150EU	48391692	BL2022	20	1/2", Hog Ring	2,300	0-1,900	1,491	1,057	3.1	238	12.2/1.8	89.0
W7172	47663441001	BL2022	20	3/4", Square	2,450	0-1,900	2,040	1,360	3.5	215	17.0/3.7	95.0

*ISO 60745 : for vibrations and noise

Available in Kits

Model	CCN	Description
W7150EU-K22	47524963001	1/2" 20 V Impact Wrench, Charger 12/20 V, (2) BL2022 (5.0 Ah) Li-Ion Batteries, Carrying Case
W7152-K22B-EU	47665717001	1/2" 20 V Impact Wrench, Charger 12/20 V, (2) BL2022 (5.0 Ah) Li-Ion Batteries, Carrying Case
W7252-K22B-EU	47665719001	1/2" 20 V Impact Wrench (2 in anvil), Charger 12/20 V, (2) BL2022 (5.0 Ah) Li-Ion Batteries, Carrying Case
W7152P-K22B-EU	47665718001	1/2" Pin 20 V Impact Wrench, Charger 12/20 V, (2) BL2022 (5.0 Ah) Li-Ion Batteries, Carrying Case
W7172-K22B-EU	47671646001	3/4" 20 V Impact Wrench, Charger 12/20 V, (2) BL2022 (5.0 Ah) Li-Ion Batteries, Carrying Case



W7152-K22B-EU



W7150EU-K22

IQ^{V20} Series™

Power Controlled Impact Wrench W5133 3/8", W5153 1/2" & Pin Anvils Mid-Torque Impact Wrench W5130 3/8" & W5150 1/2"

Tuned impact mechanism

delivers 750 Nm nut-busting torque and 500 Nm of MAX torque from a tool that measures just 183 mm from tip to tail and weighs only 2.4 kg

Shadowless 360 degree LED light ring

with task light mode and 4 dimmable settings

Variable-speed switch with electronic brake

provides maximum control of the tool and increases safety—release trigger, drive stops spinning

MODE	HAND TIGHT	WRENCH TIGHT	MID POWER	MAX POWER
	2-9 (3-12)	10-24 (13-33)	25-240 (34-325)	25-340 (34-460)
	365 (500)	365 (500)	365 (500)	365 (500)
	0-800	0-1600	0-2100	0-2100
	M6-M12	M10-M16	M12-M32	M16-M32
SHUT OFF	<input checked="" type="checkbox"/>	<input checked="" type="checkbox"/>	<input type="checkbox"/>	<input type="checkbox"/>



W5153

Powerful brushless motor

delivers durability and efficiency as well as best-in-class power-to-weight ratio



W5130

Tuned impact mechanism

delivers 260 Nm of torque from a lightweight, balanced, compact tool that measures just 168 mm long from tip to tail

Variable-speed switch with electronic brake

provides maximum control of the tool and increases safety—release trigger, drive stops spinning

Tough composite housing and patented steel-reinforced frame protects against fluids, chemicals and repeated drops

IQ^V Power Control System includes 4 modes — full power, mid power, wrench tight, and hand tight—so there is no need to switch tools

Ideal for:



General automotive repair



Heavy equipment repair



General industrial

IQ^{V20} Series™ Impact Wrench

Model	CCN	Battery	Voltage DC	Drive Size, Type	Impacts per Minute	No-Load Speed rpm	Nut-Busting Torque Nm	MAX Torque Nm	Tool & Battery			
									Weight kg	Length mm	Vibrations / K* m/s ²	Noise level dB(A)
W5133	47636405001	BL2022	20	3/8", Hog Ring	3,300	0-2,100	750	500	2.4	179	12.6/1.7	90
		BL2012	20	3/8", Hog Ring	3,100	0-2,100	550	400	2.1	179	16.1/2.6	90
W5153	47636406001	BL2022	20	1/2", Hog Ring	3,300	0-2,100	750	500	2.4	183	12.6/1.7	90
		BL2012	20	1/2", Hog Ring	3,100	0-2,100	550	400	2.1	183	16.1/2.6	90
W5133P	47624610001	BL2022	20	3/8", Pin Retainer	3,300	0-2,100	750	500	2.4	179	12.6/1.7	90
		BL2012	20	3/8", Pin Retainer	3,100	0-2,100	550	400	2.1	179	16.1/2.6	90
W5153P	47624611001	BL2022	20	1/2", Pin Retainer	3,300	0-2,100	750	500	2.4	179	12.6/1.7	90
		BL2012	20	1/2", Pin Retainer	3,100	0-2,100	550	400	2.1	179	16.1/2.6	90
W5130	48377840	BL2022	20	3/8", Hog Ring	2,900	0-1,700	-	260	1.9	168	9.8/1.8	91
		BL2012	20	3/8", Hog Ring	2,900	0-1,700	-	245	1.6	168	8.8/2.6	91
W5150	48620801	BL2022	20	1/2", Hog Ring	2,900	0-1,700	-	260	1.9	168	9.8/1.8	91
		BL2012	20	1/2", Hog Ring	2,900	0-1,700	-	245	1.6	168	8.8/2.6	91

*ISO 60745 : for vibrations and noise

Available in Kits

Model	CCN	Kit Details
W5133-K22A-EU	47665715001	3/8" 20 V Impact Wrench, Charger 12/20 V, (1) BL2012 (2.5 Ah) & (1) BL2022 (5.0 Ah) Li-Ion Batteries, Carrying Case
W5133-K22B-EU	47665716001	3/8" 20 V Impact Wrench, Charger 12/20 V, (2) BL2022 (5.0 Ah) Li-Ion Batteries, Carrying Case
W5153-K22A-EU	47665713001	1/2" 20 V Impact Wrench, Charger 12/20 V, (1) BL2012 (2.5 Ah) & (1) BL2022 (5.0 Ah) Li-Ion Batteries, Carrying Case
W5153-K22B-EU	47665714001	1/2" 20 V Impact Wrench, Charger 12/20 V, (2) BL2022 (5.0 Ah) Li-Ion Batteries, Carrying Case
W5130-K22-EU	47530973001	3/8" 20 V Impact Wrench, Charger 12/20 V, (2) BL2012 (2.5 Ah) Li-Ion Batteries, Carrying Case
W5150-K22-EU	47530977001	1/2" 20 V Impact Wrench, Charger 12/20 V, (2) BL2012 (2.5 Ah) Li-Ion Batteries, Carrying Case



W5153-K22A-EU

W5130-K22-EU

IQ^{V20} Series™

High Cycle Impact Wrench W5111 1/4", W5131P 3/8" & W5151P 1/2" Right Angle Impact Wrench W5330 3/8" & W5350 1/2"

Tuned impact mechanism delivers 240 Nm of maximum torque, ready to perform job after job

Fast application speeds help meet plant throughput goals

W5151P



PRODUCTION RATED

High-power rare earth magnet (neodymium) motor and replaceable brushes offer a long, durable life and high power

Rubber over-molded grip minimizes vibration, reduces fatigue and enhances user comfort during extended use



245 Nm of reactionless torque spares your knuckles, while showing hard-to-reach jobs no mercy

W5330

From 0-1,900 rpm instantly just like your favorite impact wrench, the W5330 & W5350 flies through bolts with the variable speed trigger for more control

Fully serviceable head for extended tool life; save on parts and replacement tool costs by removing a few quick screws for better accessibility

Patent-pending Inline battery design can go places other impact wrenches only dream of—spaces that used to be reserved for a traditional ratchet or your bare hands

Ideal for:



Production assembly



1/4" Hex, 3/8" and 1/2" Pins for maximum versatility and secure and accurate rundowns

Ideal for:



General automotive repair



Facilities maintenance



General industrial

IQ^{V20} Series™ High Cycle Impact Wrench

Model	CCN	Battery	Voltage DC	Drive Size, Type	Impacts per Minute	No-Load Speed rpm	MAX Torque Nm	Tool & Battery Weight kg	Length mm	Vibrations / K* m/s ²	Noise level dB(A)
W5111	48620793	BL2022	20	1/4", Hex	2,800	0-1,900	240	1.9	152	6.9/1.8	86
		BL2012	20	1/4", Hex	2,800	0-1,900	215	1.6	152	4.7/1.2	86
W5131P	48620819	BL2022	20	3/8", Pin Detent	2,800	0-1,900	240	1.9	150	6.9/1.8	86
		BL2012	20	3/8", Pin Detent	2,800	0-1,900	215	1.6	150	4.7/1.2	86
W5151P	48620827	BL2022	20	1/2", Pin Detent	2,800	0-1,900	240	1.9	154	6.9/1.8	86
		BL2012	20	1/2", Pin Detent	2,800	0-1,900	215	1.6	154	4.7/1.2	86

IQ^{V20} Series™ Right Angle Impact Wrench

Model	CCN	Battery	Voltage DC	Drive Size, Type	No-Load Speed rpm	MAX Torque Nm	Tool & Battery				
							Weight kg	Length mm	Vibrations / K* m/s ²	Noise level dB(A)	
W5330	47514540001	BL2022	20	3/8", Hog Ring	0-1,900	258	2.27	439	10.3/6.3	85.0	
		BL2012	20	3/8", Hog Ring	0-1,900	245	2.06	439	10.3/6.3	85.0	
W5350	47514541001	BL2022	20	1/2", Hog Ring	0-1,900	258	2.27	439	10.3/6.3	85.0	
		BL2012	20	1/2", Hog Ring	0-1,900	245	2.06	439	10.3/6.3	85.0	

*ISO 60745 : for vibrations and noise

Available in Kits

Model	CCN	Description
W5131P-K22-EU	47530975001	3/8" Pin 20 V Impact Wrench, Charger 12/20 V, (2) BL2012 (2.5 Ah) Li-Ion Batteries, Carrying Case
W5151P-K22-EU	47530979001	1/2" Pin 20 V Impact Wrench, Charger 12/20 V, (2) BL2012 (2.5 Ah) Li-Ion Batteries, Carrying Case
W5111-K22-EU	47530971001	1/4" Hex 20 V Impact Driver, Charger 12/20 V, (2) BL2012 (2.5 Ah) Li-Ion Batteries, Carrying Case
W5330-K12-EU	47530980001	3/8" 20 V Right Angle Impact, Charger, (1) BL2012 (2.5 Ah) Li-Ion Battery, Carrying Case
W5350-K12-EU	47530981001	1/2" 20 V Right Angle Impact, Charger, (1) BL2012 (2.5 Ah) Li-Ion Battery, Carrying Case



W5350-K12-EU

W5111-K22-EU

Next Generation Power

Ingersoll Rand W7172 3/4" IQ^{V20} High Torque Impact Wrench

The Ingersoll Rand® W7172 is one of the most powerful 3/4" cordless impact wrenches in its class. Built on over 100 years of power tool experience, this tool offers the power you want with the control you need.



Cradle Bolt



Tire Changing



Fleet Truck Maintenance



Industrial & MRO

Tool Features

Tuned impact mechanism

2040 Nm nut-busting torque and 1360 Nm of MAX torque from a tool that measures just 215 mm from tip to tail and weighs only 3.5 kg (with battery BL2022)

Shadowless 360° LED light ring

with task light mode and 4 dimmable settings

All-metal drivetrain and hammer mechanism

is robust, durable and optimized for maximum power and efficiency

Variable-speed switch with electronic brake

provides maximum control of the tool and increases safety—release trigger, drive stops spinning

Tough composite housing and patented steel-reinforced frame

protects against aggressive fluids, chemicals and repeated drops



Powerful brushless motor delivers durability and efficiency as well as best-in-class power-to-weight ratio

IQ^V Power Control System includes 4 modes

MODE	HAND TIGHT	WRENCH TIGHT	HALF POWER	MAX POWER
	4-10 (5-14)	35-110 (50-150)	100-530 (135-720)	100-1000 (135-1360)
	1000 (1360)	1000 (1360)	1000 (1360)	1000 (1360)
	M6-M12	M10-M16	M12-M32	M16-M32
	✓	✓		



*Approximate torque values shown.

IQ ^{V20} Series™ W7172 Cordless Impact Wrench									
Model	CCN	Battery	Voltage DC	Drive Size, Type	Impacts Per Minute BPM	MAX Torque Nm	Nut-Busting Torque Nm	Tool & Battery Weight kg	Length mm
W7172	47663441001	BL2022	20	3/4", (Socket Retaining Ring, Thru-Hole)	2450	1360	2040	3.5	215



W7172-K22-EU

Also available as a kit.

Item No.	CCN	Kit Details
W7172-K22-EU	47663446001	2 BL2022 Batteries, Tool, Charger, Bag

IQ^V Series WARRANTY

IQ^V Series Includes IQ^{V20} and IQ^{V12}

3 Year Limited Warranty on Tools and Chargers	2 Year High-Capacity Battery Replacement	1 Year Tool, Battery & Charger Replacement
--	--	---

See ingersollrand.com/products.com/warranty for official Terms & Conditions. May vary by country.



irtools.com/W7172

REAL TOOLS FOR REAL WORK.™

Ingersoll Rand (NYSE:IR) advances the quality of life by creating comfortable, sustainable and efficient environments. Our people and our family of brands—including Club Car®, Ingersoll Rand®, Thermo King® and Trane®—work together to enhance the quality and comfort of air in homes and buildings; transport and protect food and perishables; and increase industrial productivity and efficiency. We are a \$13 billion global business committed to a world of sustainable progress and enduring results.

©2019 Ingersoll Rand® IRVS-0819-025-EUEN



LLAVE DE IMPACTO INALÁMBRICA DE 1"

Potencia. Movilidad. Productividad.

LA LLAVE DE IMPACTO INALÁMBRICA DE 1" CON MÁS POTENCIA DEL MUNDO

W9691 y W9491: Llave de impacto inalámbrica de 1"

La llave de impacto inalámbrica de 1" de Ingersoll Rand® combina la potencia del aire con la libertad de la movilidad inalámbrica. Proporcione a sus operarios la capacidad de moverse con total libertad en aplicaciones en las que escasean el espacio y la maniobrabilidad. Las llaves W9691 y W9491 brindan de inmediato al usuario toda la potencia que necesita. Gracias a su configuración rápida, la W9691 y la W9491 permiten a los operarios realizar su trabajo rápidamente. La capacidad de innovación de Ingersoll Rand garantiza un peso equilibrado, una empuñadura en D ergonómica con una empuñadura auxiliar de 360° y una configuración de la batería IQV20 protegida con energía para una jornada de trabajo completa.



Equipos pesados



Refinerías y generación de energía



Mantenimiento de los camiones de la flota



Sector ferroviario

2 baterías de 20 V que suministran hasta 250 tornillos por carga

Par de despegue de 4.000 Nm y Par de apriete de 3.000 Nm

Eje con extensión de 6" para un mejor acceso

Sistema IQV de control de la potencia: cambie fácil y rápido entre los modos MAX, MID o de ajuste

Modo	Aflorado a máxima potencia	Modo de ajuste	Modo de potencia media	Apriete a máxima potencia
Par máximo	3.000 Nm	250 Nm	550 Nm	3.000 Nm
Velocidad en vacío	890 r.p.m.	500 r.p.m.	540 r.p.m.	890 r.p.m.
Desconexión		✓	✓	



Garantía IQV Series

3 AÑOS Garantía limitada para herramientas eléctricas y de mano.	2 AÑOS Garantía limitada para herramientas eléctricas y de mano.	1 AÑO Garantía limitada para herramientas eléctricas y de mano.
--	--	---

LLAVE DE IMPACTO INALÁMBRICA DE 1"

Modelo	Elemento	Tamaño de cuadrado	Par de apriete (Nm) máximo	Par de despegue (Nm)	r.p.m.	Peso con baterías (kg)	Longitud (mm)	Anchura (mm)	Voltaje	Tornillos por carga	Nivel sonoro (dB[A]) EN 62841	Vibraciones/K (m/s ²) EN 62841
W9691	Herramienta básica	Largo de 1"	3.000	4.000	890	13,2	664	176	2 x 20 V	250	94,0	25,8/8,5
W9491	Herramienta básica	Corto de 1"	3.000	3.500	890	12,5	511	176	2 x 20 V	250	95,9	23,5/7,7

KITS

W9691-K4E-EU

El kit incluye: Herramienta de 1" con eje largo, (4) baterías de 5,0 Ah, (1) cargador de doble compartimento de 20 V y cables

W9491-K4E-EU

El kit incluye: Herramienta de 1" con eje corto, (4) baterías de 5,0 Ah, (1) cargador de doble compartimento de 20 V y cables



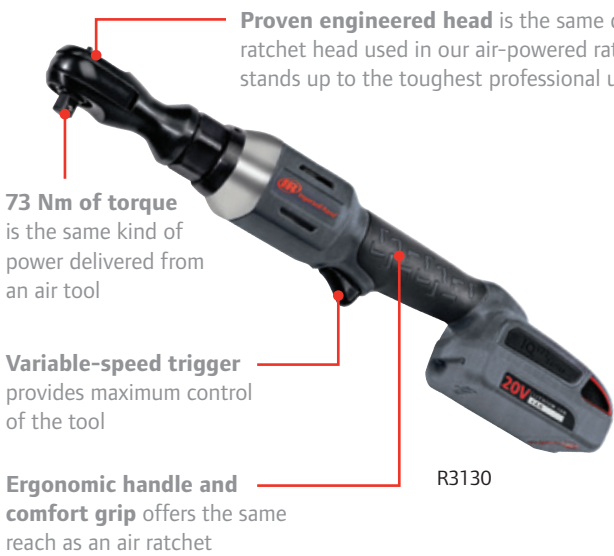
Síganos. #IRTOOLS



IQ^{V20} Series™ Ratchet Wrench

Ratchet Wrench R3130 3/8" & R3150 1/2"

Drill/Driver D5140 1/2" (13mm)



Ideal for:



Ideal for:



IQ ^{V20} Series™ Ratchet Wrench							Tool & Battery			
Model	CCN	Battery	Voltage DC	Drive Size, Type	No-Load Speed rpm	MAX Torque Nm	Weight kg	Length mm	Vibrations / K* m/s ²	Noise level dB(A)
R3130	48621023	BL2022	20	3/8", Square	0-225	73	2.3	445	2.8/0.7	86.0
		BL2012	20	3/8", Square	0-225	73	2.0	445	2.8/0.7	86.0
R3150	48621056	BL2022	20	1/2", Square	0-225	73	2.3	445	2.8/0.7	86.0
		BL2012	20	1/2", Square	0-225	73	2.0	445	2.8/0.7	86.0

IQ ^{V20} Series™ Drill/Driver				No-Load Speed rpm		Tool & Battery					
Model	CCN	Battery	Voltage DC	Drive Size, Type	High	Low	MAX Stall Torque Nm	Weight kg	Length mm	Vibrations / K* m/s ²	Noise level dB(A)
D5140	48489546	BL2022	20	1/2", Chuck	0-500	0-1,900	80	2.45	235	< 2.5	75.0

*ISO 60745 : for vibrations and noise

Available in Kits

Model	CCN	Description
R3130-K12-EU	47530966001	3/8" 20 V Ratchet, Charger, (1) BL2012 (2.5 Ah) Li-Ion Battery, Carrying Case
R3130-K22-EU	47530967001	3/8" 20 V Ratchet, Charger, (2) BL2012 (2.5 Ah) Li-Ion Batteries, Carrying Case
R3150-K12-EU	47530968001	1/2" 20 V Ratchet, Charger, (1) BL2012 (2.5 Ah) Li-Ion Battery, Carrying Case
R3150-K22-EU	47530969001	1/2" 20 V Ratchet, Charger, (2) BL2012 (2.5 Ah) Li-Ion Batteries, Carrying Case
D5140-K22-EU	47530987001	1/2" (13 mm) 20 V Drill/Driver, Charger 12/20 V, (2) BL2022 (5.0 Ah) Li-Ion Batteries, Carrying Case



IQ^{V20} Series™

Grease Gun LUB5130

LED Task Light L5110

Electronic shutdown and high-pressure LED indicator prevents grease spills and extends motor life

Standard 762 mm hose improves reach, helps operators access tight spots

Easy 3-way load system for maximum versatility with cartridge, bulk and manual loading



Ultra-bright white LED casts 180 lumens and lasts up to 20,000 hours

IQ^{V20} Series™ intelligent battery management system provides up to 25 hours on a 5.0 Ah battery on a single charge



Ideal for:



Ideal for:



IQ^{V20} Series™ Grease Gun

Model	CCN	Battery	Voltage DC	Pressure PSI (Bar)	Flow Rate g/min.	Cannister Capacity g	Grease Type NLGI	Grease Hose Length mm	Tool & Battery			
									Weight kg	Size: LxWxH mm	Vibrations / K* m/s ²	Noise level dB(A)
LUB5130	47503006	BL2012/ BL2022	20	6250 (431)	75	400	2-4	762	3.3/3.5	490 x 200 x 94	<2.5	66.0

IQ^{V20} Series™ LED Task Light

Model	CCN	Battery	Voltage DC	Light Output Lumens	Head Positions	Runtime Hours	Weight kg	Tool & Battery	
								Size LxH mm	Size LxH mm
L5110	48489561	BL2022	20	180	6	15/25	1.08	8.6 x 12.1	
		BL2012	20	180	6	13.5	0.82	8.6 x 12.1	

*ISO 60745 : for vibrations and noise



Available in Kits

Model	CCN	Description
LUB5130-K12-EU	47503151001	20 V Grease Gun, Charger 12/20 V, 1 BL2012 (2.5 Ah) Li-Ion Battery, Carrying Case

IQ^{V12} Series™

Drill/Driver D1130 3/8" (10 mm)

Screwdriver D1410 1/4"QC

15-position clutch
maximizes fastening control

Bright white LED
casts light on the work piece

Ergonomically designed small-handle grip helps reduce operator fatigue during extended use



D1130

Compact size is just 190 mm from tip to tail for outstanding accessibility and versatility (D1130 3/8")

Impact- and chemical-resistant housing protects against repeated 1.80 m drops onto concrete and exposure to shop fluids

Best-in-class length, only 130 mm from tip to tail (D1410 1/4"QC)

3-point rubber pads protect tool and work surfaces



D1410

One-handed, recessed, quick-change drive for ease of use and improved access (D1410 1/4"QC)

Ideal for:



General automotive repair



Collision repair



Facilities maintenance

IQ^{V12} Series™ Drill/Driver and Screwdriver

Model	CCN	Battery	Voltage DC	Drive Size, Type	No-Load Speed rpm		MAX Torque Nm	Tool & Battery			Noise level dB(A)
					High	Low		Weight kg	Length mm	Vibrations / K* m/s ²	
D1130	47500112001	BL1203	12	3/8", Chuck	0-1,600	0-400	23	1.1	190	<2.5	64.0
D1410	47500114001	BL1203	12	1/4" Hex	0-1,600	0-400	23	0.95	130	<2.5	64.0

*ISO 60745 : for vibrations and noise



D1130EU-K2



D1410EU-K2

Available in Kits

Model	CCN	Description
D1130EU-K2	47500116001	3/8" (10 mm) 12 V Drill/Driver, Charger, (2) BL1203 (2.0 Ah) Li-Ion Batteries
D1410EU-K2	47500117001	1/4" Hex 12 V Screwdriver Driver, Charger, (2) BL1203 (2.0 Ah) Li-Ion Batteries

IQ^{V12} Series™

Impact Wrench W1110 1/4"QC, W1120 1/4", W1130 3/8" Ratchet Wrench R1120 1/4" and R1130 3/8"



Tuned impact mechanism and all-metal drivetrain deliver 135 Nm of torque and durable performance

Bright white LED casts light on the work piece

Ergonomically designed small-handle grip helps reduce operator fatigue during extended use

Impact- and chemical-resistant housing protects against repeated six foot drops onto concrete and exposure to shop fluids

3-point rubber pads protect tool and work surfaces

Compact, durable motor and all-metal drivetrain deliver up to 40 Nm of torque and allow additional manual torquing capability

Polished aluminum and composite housing protects against repeated six foot drops onto concrete and exposure to shop fluids



Bright white LED casts light on the work piece

Feather-touch variable speed paddle trigger allows different grip techniques for easier access

Ideal for:



General automotive repair



Collision repair



Heavy equipment repair

IQ^{V12} Series™ Impact Wrench

Model	CCN	Battery	Voltage DC	Drive Size, Type	Impacts per Minute	No-Load Speed rpm	MAX Torque Nm	Tool & Battery			
								Weight kg	Length mm	Vibrations / K* m/s ²	Noise level dB(A)
W1110	47500078001	BL1203	12	1/4" Hex	3,300	0-2,700	135	1.05	150	4.5/3.0	82.0
W1120	47500081001	BL1203	12	1/4", Hog Ring	3,300	0-2,700	135	1.03	150	3.8/2.7	82.0
W1130	47500084001	BL1203	12	3/8", Hog Ring	3,300	0-2,700	135	1.04	150	3.8/2.7	82.0

*ISO 60745 : for vibrations and noise

IQ^{V12} Series™ Ratchet Wrench

Model	CCN	Battery	Voltage DC	Drive Size, Type	No-Load Speed rpm	MAX Torque Nm	Tool & Battery			
							Weight kg	Length mm	Vibrations / K* m/s ²	Noise level dB(A)
R1120	47500060001	BL1203	12	1/4", Square	0-260	40	0.98	280	2.8/0.7	86.0
R1130	47500062001	BL1203	12	3/8", Square	0-260	40	0.98	280	<2.5	76.0

*ISO 60745 : for vibrations and noise

Available in Kits



Model	CCN	Description
W1110EU-K2	47500087001	1/4" Hex 12 V Impact Driver, Charger, (2) BL1203 (2.0 Ah) Li-Ion Batteries
W1120EU-K2	47500088001	1/4" 12 V Impact wrench, Charger, (2) BL1203 (2.0 Ah) Li-Ion Batteries
W1130EU-K2	47500089001	3/8" 12 V Impact wrench, Charger, (2) BL1203 (2.0 Ah) Li-Ion Batteries
R1120EU-K1	47500064001	1/4" 12 V Ratchet, Charger, (1) BL1203 (2.0 Ah) Li-Ion Battery
R1130EU-K1	47500065001	3/8" 12 V Ratchet, Charger, (1) BL1203 (2.0 Ah) Li-Ion Battery

IQ^{V12} Series™

Polisher/Sander G1621

Belt Sander G1811



Quick-change spindle-lock eliminates the need for additional tools

2-speed gearbox and 2" (50 mm) and 3" (75 mm) backing pads give you maximum versatility

G1621

Variable-speed switch provides maximum control of the tool

Compact design makes operation and access easier in tight spots so you can perform even the most detailed work



Powerful 6,600 RPM and variable-speed lever gets you through jobs fast and in control

Lightweight, low vibration design with a total weight of only 1 kg, including the battery

Quick-change lock and release makes switching belts easy

G1811

Ideal for:



General automotive repair



Collision repair



Heavy equipment repair

3/8" X 13" (10 x 330 mm) narrow-width belt, 8-position adjustable belt arm and hose-free design gets in and around the tightest spots



8-position adjustable belt arm to maneuver around tight spots.

IQ ^{V12} Series™ Polisher/Sander			No-Load Speed rpm				Tool & Battery				
Model	CCN	Battery	Voltage DC	High	Low	Sanding Disc Diameter	Polishing Disc Diameter	Weight kg	Length mm	Vibrations / K*	Noise level dB(A)
G1621	47542795001	BL1203	12	7,600	2,200	2" (50 mm) and 3" (75 mm)	3" (75 mm)	1.28	144	3.0/0.8	67

IQ ^{V12} Series™ Belt Sander			No-Load Speed rpm				Tool & Battery				
Model	CCN	Battery	Voltage DC	Arbor Speed rpm	Belt Speed m/min	Belt Size mm	Weight kg	Length mm	Vibrations / K*	Noise level db (A)	
G1811	47559185001	BL1203	12	7,000	518	10x330	1.00	212	3.0/0.8	67	

*ISO 60745 : for vibrations and noise

Available in Kits

Item No.	CCN	Kit Details
G1621EU-K2	47540140001	12 V Sander/Polisher, Charger, (2) BL1203 (2.0 Ah) Li-Ion Batteries and kit pads
Accessory Kit	CCN	Kit Details
G1000-KIT-PAD	47544526001	2 Foam Pads, 1 Wool Pad, 3" & 2" Sanding Backing Pads, 3" Hook & Loop Polishing Backing Pad
Item No.	CCN	Kit Details
G1811EU-K2	47559180001	12 V Belt Sander, Charger, (2) BL1203 (2.0 Ah) Li-Ion Batteries and kit belts
Accessory Kit	CCN	Kit Details
G1811-KIT-BELT	47578387001	3 60-Grit & 3 80-Grit Belts



G1621EU-K2

G1811EU-K2

IQ^{V12} Series™

Reciprocating Saw C1101

LED Task Light L1110

Adjustable guide gives you total control to use a longer blade for complex scrolling and circular cuts or a shorter blade for precise straight cuts

Lightweight, low vibration design cuts sheet metal and other materials comfortably, with less noise than an air saw

Ultra-bright white LED casts 180 lumens and lasts up to 20,000 hours

Patent-pending aluminum head dissipates heat and is lightweight, yet heavy-duty

Multi-position head and standing base for lighting from above and below



C1101

Inline, low-profile design makes accurate cuts in the tightest spaces

Powerful 3,300 SPM runs through fenders, body panels and other metal surfaces in a hurry



L1110

Extended runtime of 6.5 hours with BL1203 battery

Ideal for:



General automotive repair



Collision repair



Heavy equipment repair

Ideal for:



General automotive repair



Collision repair



Facilities maintenance

IQ^{V12} Series™ Reciprocating Saw

Model	CCN	Battery	Voltage DC	Strokes per Minute	Strokes Length mm	Tool & Battery		Vibrations / K* m/s ²	Noise level dB(A)
						Weight kg	Length mm		
C1101	47559324001	BL1203	12	3,300	14	0.97	298	17.9 / 7.8	77.0

*ISO 60745 : for vibrations and noise

IQ^{V12} Series™ LED Task Light

Model	CCN	Battery*	Voltage DC	Light Output Lumens	Runtime Hours	Tool & Battery	
						Weight kg	Length mm
L1110	47500109001	BL1203	12	180	6.5	0.58	0.90

* Battery not included, available separately.



C1101EU-K2

Available in Kits

Model	CCN	Description
C1101EU-K2	47559320001	12 V Recip Saw, Charger, (2) BL1203 (2.0 Ah) Li-Ion Batteries and set of blades

Accessory Kit	CCN	Description
P4EV-6	45525532	Extra course Variable 4" – 14-18 TPI
P4FS-6	45525474	Fine 4" – 32 TPI
P4CS-6	45525508	Coarse 4" – 24 TPI